

Service Manual

Supplement

Colour Television EURO 2 Chassis

TX-25XD2C TX-28XD2C

Specification

Parts List

A schematic

E schematic

Y schematic

Notes

Service Support



About....



GO BACK

EXIT

Service Manual



SUPPLEMENT - 1

Colour Television
TX-28XD2C
TX-25XD2C
EURO 2 Chassis

NOTE:

THIS SUPPLEMENT SHOULD BE USED IN CONJUNCTION WITH THE TX-28XD1C/TX-25XD1C SERVICE MANUAL

BEMERKUNG:

DIESES SUPPLEMENT GILT IM ZUSAMMENHANG MIT DEN SERVICE MANUALS FÜR DIE MODELLE TX-28XD1C UND TX-25XD1C.

Specifications

(Information in brackets {} refers to TX - 25XD2C)

Power Source :	220 - 240 V AC, 50Hz
Power Consumption :	105W {100W}
Aerial Impedance :	75Ω unbalanced, Coaxial Type
Receiving System :	PAL B/G, D/K H PAL - 60 SECAM B/G, D/K
Receiving Channels :	VHF E2 - E12 VHF H1 - H2 (ITALY) VHF R1 - R2 VHF R3 - R5 VHF R6 - R12 UHF E21 - E69 CATV (S01 - S05) CATV S1 - S10 (M1 - M10) CATV S11 - S20 (U1 - U10) CATV S21 - S41 (HYPERBAND)
Intermediate Frequency :	Video 38.9MHz Sound 33.4MHz, 33.16MHz 32.4MHz, 33.05MHz 35.07MHz, 34.47MHz, 34.5MHz
Colour	
Video / Audio Terminals :	
AUDIO MONITOR OUT	Audio (RCA x 2) 500 mV rms 1kΩ
AV1 IN	Video (21 pin) 1 Vp-p 75Ω Audio (21 pin) 500 mV rms 10kΩ RGB (21 pin)
AV1 OUT	Video (21 pin) 1 Vp-p 75Ω Audio (21 pin) 500 mV rms 1kΩ
AV2 IN	Video (21 pin) 1 Vp-p 75Ω Audio (21 pin) 500 mV rms 10 kΩ S-Video IN Y: 1 Vp-p 75Ω (21 pin) C: 0.3 Vp-p 75Ω
AV2 OUT	Video (21 pin) 1 Vp-p 75Ω Audio (21 pin) 500 mV rms 1kΩ Selectable output (21 pin)
AV3 IN	Audio (RCA x 2) 500 mV rms 10kΩ Video (RCA x 1) 1 Vp-p 75Ω
High Voltage :	28.7 kV ± 1kV at zero beam current
Picture Tube :	A66ECF50X12 70 cm {A59ECF50X12 63 cm}
Visible screen size:	110° deflection
Audio Output :	
Internal Speaker	2 x 20 W (Music Power) 8 Ω Impedance
Headphones	8 Ω Impedance
Accessories supplied :	Remote Control R6 (UM3) Battery
Dimensions :	Height : 562mm {512mm} Width : 771mm {708mm} Depth : 482mm {455mm}
Net Weight	34kg {28.5kg}
Specifications are subject to change without notice. Weight and dimensions shown are approximate.	

Technische Daten

(Werte in klammern {} gelten nur für TX - 25XD2C)

Netzspannung :	220 - 240 V AC, 50Hz
Leistungsaufnahme :	105W {100W}
Antennenimpedanz :	75Ω asymmetrisch, Koaxial-Typ
Empfangssystem :	PAL B/G, D/K H PAL - 60 SECAM B/G, D/K
Empfangsbereiche :	VHF E2 - E2 VHF H1 - H2 (ITALY) VHF R1 - R2 VHF R3 - R5 VHF R6 - R12 UHF E21 - E69 CATV (S01 - S05) CATV S11 - S20 (U1 - U10) CATV S21 - S41 (HYPERBAND)
Zwischenfrequenz :	Video 38.9MHz Sound 33.4MHz, 33.16MHz 32.4MHz, 33.05MHz 35.07MHz, 34.47MHz, 34.5MHz
Colour	
Video / Audio Anschlüsse :	
AUDIO MONITOR AUSGANG	Audio (RCA x 2) 500 mV rms 1kΩ
AV1 EINGANG	Video (21 pin) 1 Vp-p 75Ω Audio (21 pin) 500 mV rms 10kΩ RGB (21 pin)
AV1 AUSGANG	Video (21 pin) 1 Vp-p 75Ω Audio (21 pin) 500 mV rms 1kΩ
AV2 EINGANG	Video (21 pin) 1 Vp-p 75Ω Audio (21 pin) 500 mV rms 10 kΩ S-Video IN Y: 1 Vp-p 75Ω (21 pin) C: 0.3 Vp-p 75Ω
AV2 AUSGANG	Video (21 pin) 1 Vp-p 75Ω Audio (21 pin) 500 mV rms 1kΩ Selectable output (21 pin)
AV3 EINGANG	Audio (RCA x 2) 500 mV rms 10kΩ Video (RCA x 1) 1 Vp-p 75Ω
Hochspannung :	28.7 kV ± 1kV bei Nullstrahlstrom
Bildrohre :	A66ECF50X12 70 cm {A59ECF50X12 63 cm}
Visuelle Diagonale :	110° Ablenkung
Ton Ausgangsleistung :	2 x 20W (Musikleistung) 8 Ω Impedanz
Einbaulautsprecher	
Kopfhörer	1 x 8 Ω Impedanz
Mitgel. Zubehör	Fernbedienung R6 (UM3) Batterien
Abmessungen :	Höhe : 562mm {512mm} Breite : 771mm {708mm} Tiefe : 482mm {455mm}
Gewicht	34kg {28.5kg}
Änderungen der technischen Daten vorbehalten. Gewichte und Abmessungen sind Näherungsangaben.	

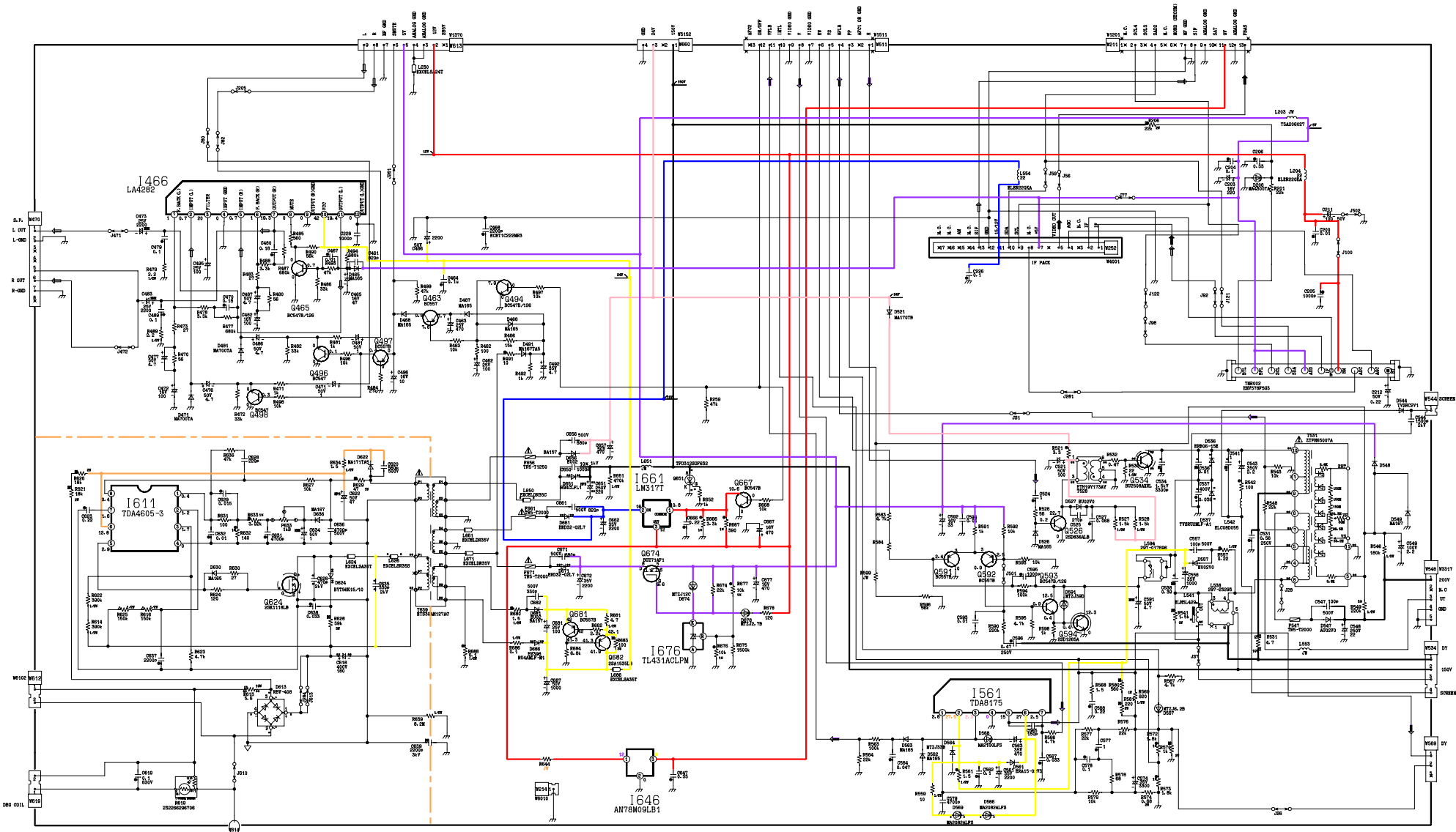
DIFFERENCES FOR TX – 28XD2C AND TX – 25XD2C

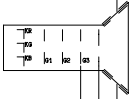
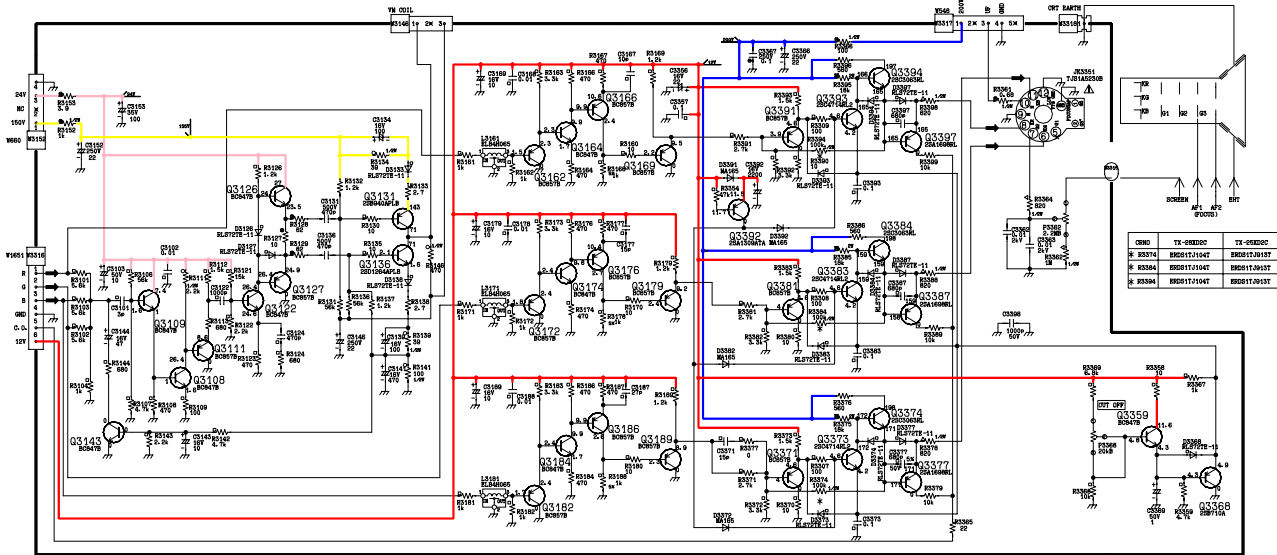
	TX – 28XD1C	TX – 28XD2C	TX – 25XD1C	TX – 25XD2C
DESCRIPTION	ORIGINAL	NEW	ORIGINAL	NEW
2) BACKCOVER	TKU8E00170	TKU8E00170-2	TKU8E00160	TKU8E00160-1
3) CABINET	TKY8E038	TKY8E038-4	TKY8E037	TKY8E037-3
4) CRT	A66EAK252X21	A66ECF50X12	A59EAK252X21	A59ECF50X12
7) Y PCB	TNP117037AD	TNP117037AT	TNP117037AD	TNP117037AS
9) E PCB	TNP197087AK	TNP197087BH	TNP197087AK	TNP197087BG
10) A PCB	TNP117034AQ	TNP117034BL	TNP117034AD	TNP117034BK
17) B/COVER LABEL	TBM8E1423	TBM8E1559	TBM8E1409	TBM8E1562
SCHEM DIAG	TQA8E2006	TQA8E2018	TQA8E2006	TQA8E2018
ALIGN SHEET	TQB8E2041	TQB8E2159-1	TQB8E2041	TQB8E2159-1
INST BOOK GERMAN	TQB8E0905A	TQB8E2158A	TQB8E0905A	TQB8E2158A
INST BOOK DUTCH	TQB8E0905B	TQB8E2158B	TQB8E0905B	TQB8E2158B
INST BOOK ITALIAN	TQB8E0905C	TQB8E2158C	TQB8E0905C	TQB8E2158C
CARTON	TPC8E4464	TPC8E4550	TPC8E4461	TPC8E4554

COMMON PARTS FOR TX – 28XD2C AND TX – 25XD2C

CR No	DESCRIPTION	ORIGINAL	NEW
B18	WIRE LINK	NIL	T3A206022
B19	WIRE LINK	NIL	T3A205016
C200	CAPACITOR	NIL	ECBT1E103ZF3
C201	CAPACITOR	ECEA1HFQ101B	NIL
C202	CAPACITOR	ECQB1H103KF3	NIL
C211	CAPACITOR	NIL	ECEA1HFQ101B
C212	CAPACITOR	ECEA1HUR22B	ECQB1H104KF3
C229	CAPACITOR	ECKR1H102KB5	NIL
C468	CAPACITOR	NIL	ECBT1C222MR3
C534	EYELET	NIL	XRY16X288D
C593	CAPACITOR	NIL	ECKR1H103ZF5
C596	CAPACITOR	NIL	ECQE2474KFW
C1045	WIRE LINK	NIL	ERJ6GEY0R00V
C1371	WIRE LINK	NIL	ERJ6GEY0R00V
C1608	CAPACITOR	NIL	ECUV1H040CCX
C1609	CAPACITOR	NIL	ECUV1H040CCX
C1627	CAPACITOR	ECEA1HNR22SB	ECEA1HNR33SB
C3364	CAPACITOR	ECKR1H222KB5	NIL
C3369	CAPACITOR	ECEA1CU100B	ECEA1HM010B
C3392	CAPACITOR	ECEA1CU471B	ECEA1CM222B
C3398	CAPACITOR	NIL	ECKR1H102KB5
D564	DIODE	NIL	MTZJ33B
D591	DIODE	NIL	MTZJ39D
D674	DIODE	MA4120TA	NIL
I1111	VIDEO SWITCH	TEA6415B	TEA6415C
I1301	AUDIO I.C.	MSP3400-15	MSP3400CPPC6
I1601	VIDEO I.C.	VDP3108-25	VDP3108APPA1
I1701	TEXT I.C.	TPU3040-16	TPU3040-20

CR No	DESCRIPTION	ORIGINAL	NEW
I1751	DRAM	TC511000	81C1000A-70P
I1802	RESET	NIL	MN1280-R
I1941	EAROM	ST24C08CB1	ST24C16CB1
JC1123	WIRE LINK	NIL	ERJ6GEY0R00V
JC1124	WIRE LINK	NIL	ERJ6GEY0R00V
JC1125	WIRE LINK	NIL	ERJ6GEY0R00V
J501	WIRE LINK	NIL	T3A206022
J502	WIRE LINK	NIL	T3A206022
J1060	WIRE LINK	NIL	T3A206027
L541	COIL	ELH5L421	ELH5L429
L624	COIL	NIL	EXCELSA35T
L661	COIL	NIL	EXCELDLR35V
L671	COIL	NIL	EXCELDLR35V
L1625	WIRE LINK	NIL	T3A205016
R532	RESISTOR	ERW2PKR56P	ERW2PKR47P
R574	RESISTOR	ERW12PKR82C	ERW12PKR68C
R590	RESISTOR	NIL	ERDS2TJ224T
R652	RESISTOR	NIL	ERDS2TJ102T
R686	RESISTOR	NKS2	FN4R1KR
R688	RESISTOR	NKS2	FN4R1KR
R1632	RESISTOR	ERJ6GEYJ391V	ERJ6GEYJ471V
R1642	RESISTOR	ERJ6GEYJ391V	ERJ6GEYJ471V
R1652	RESISTOR	ERJ6GEYJ391V	ERJ6GEYJ471V
R1850	RESISTOR	NIL	ERJ6GEY0R00V
R3146	RESISTOR	ERDS1FYJ181T	ERDS1FYJ471T
R3354	RESISTOR	ERJ6GEYJ102V	ERJ6GEYJ471V
T639	TRANSFORMER	ETS39AH117AC	ETS39AH117AA





GRID	TK-2HEDOC	TK-25EDOC
* R3374	RD81TJ104T	RD81TJ015T
* R3384	RD81TJ104T	RD81TJ015T
* R3394	RD81TJ104T	RD81TJ015T

